

Labkotec Oy reserves the right to make changes at any time and without prior notice. Technical specifications may change at any time because of ongoing improvements done by our Department of Research and Development. The installation must always be carried out in accordance with the instructions of the manufacturer.



Communication Unit Labcom 220 Warning Device GA-1

DOC001417-ENG

Quick Guide



Measure your success



Labkotec Oy
Myllyhaantie 6
FI-33960 Pirkkala
FINLAND
Tel. int. +358 (0)29 006 260
Fax int. +358 (0)29 006 1260
E-mail info@labkotec.fi

Labkotec GmbH
Technologiezentrum
Lise-Meitner-Strasse 2
24941 Flensburg
GERMANY
Tel. int. +49 (0)461 9992 410
Fax int. +49 (0)461 4807 335
E-mail info@labkotec.de

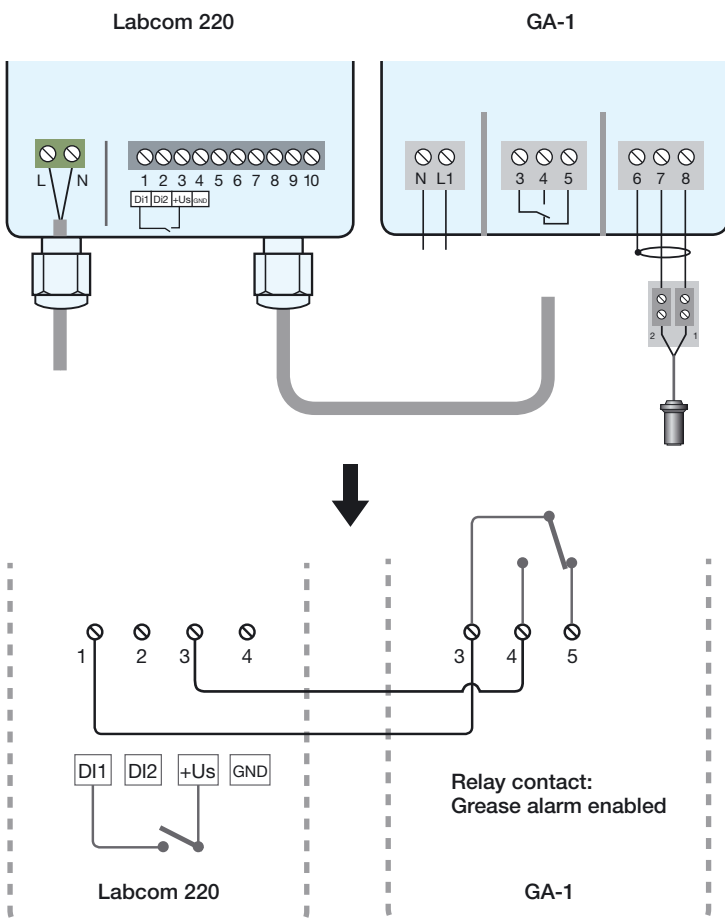
Labkotec AB
Ekbacksvägen 28
SE-168 69 Bromma
SWEDEN
Tel. int. +46 (0)8 130 060
Fax int. +46 (0)8 555 36108
E-mail info@labkotec.se

10/2016 DOC001417-ENG

Measure your success



Application example



Please take note

This Quick Guide describes an application example for the communication unit Labcom 220 and the warning device GA-1. It is not substituting the instruction manuals for Labcom 220 and GA-1.

Safety instructions, intended use and detailed information of the two devices are described in each of the corresponding instruction manuals.

Requirements

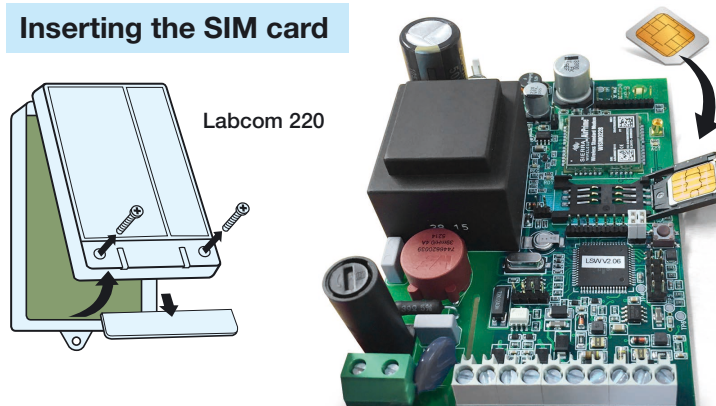
The Labcom 220 communication unit as well as the GA-1 warning device must be installed in accordance with the respective instruction manual.

The cable connection between the two devices matches the application example.

The PIN code for the SIM card of the Labcom 220 communication unit must be disabled. This can be done by means of a mobile phone. Follow the instructions provided in the mobile phone's manual to do this.

The application example shows the scheme of the GA-1 warning device, where the relay switches upon grease alarm, sensor cable breakage or sensor defect. The relay of the warning device switches back as soon as the sensor is no longer in the alarm state.

Inserting the SIM card



SMS parameter steps and examples

Please take note

The SMS command must use the uppercase and must end with a blank space. Multiple entries must be separated by a blank space. Mobile phone numbers must always use the plus sign followed by the country code. SMS text input are always confirmed with a reply SMS by the Labcom 220 communication unit. If no confirmation or notification arrives, check the credit balance of the SIM card or the contract term of your mobile service provider.



Parameter setting for one or multiple user mobile phone numbers

TEL +49 _____ +49 _____

Mobile phone number with plus sign and country code

Parameter setting for device or system name

NAME Grease separator 123

Max. 20 characters

Parameter setting for current date and time

CLOCK 31.01.2016 15:00

Time: hh:mm

Date: TT.MM.JJJJ

Parameter setting for digital input

DI1 Grease alarm On Off 0 5

Alarm delay in sec., max. 34000 s

Input status definition, default: 0

Text to disable alarm, max. 20 characters

Text to enable alarm, max. 20 characters

Alarm name, max. 20 characters

Parameter setting for cyclic status notification

TXD 7 14:00

Time: hh:mm

Status notification, 1: daily, 7: weekly