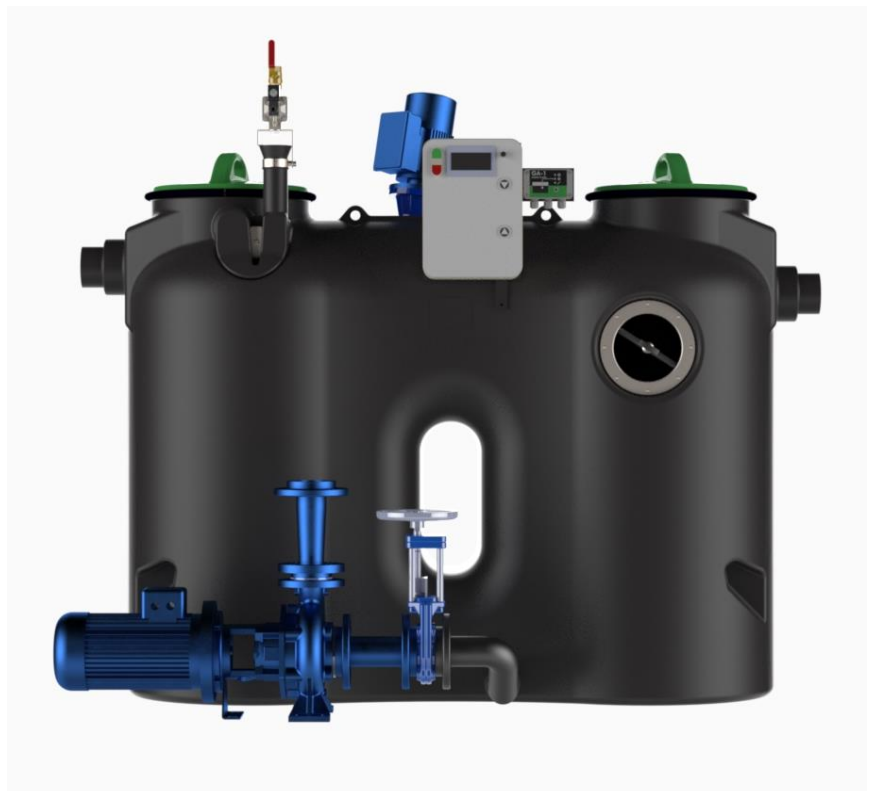




FREE-STANDING GREASE SEPARATORS

INSTALLATION, OPERATION AND MAINTENANCE MANUAL

UAB ENEKA
Vandžiogalos pl. 94D,
LT-47467, Kaunas, Lithuania
Telefonas.: +370 37 377441
El.paštas: info@eneka.lt
www.eneka.lt



Free-standing Grease Separator For room installation

Main parameters

Type :

Serial number :

Flow rate :

Client :

Installation place :

Table of Contents

1. GENERAL INFORMATION	5
1.1. Introduction	5
1.2. Product description	5
1.3. Operation principle	5
1.4. Technical data	6
2. MODELS	7
2.1. Model Base	7
2.2. Model PRIMA	7
2.3. Model MIX	8
2.4. Model PUMP	8
2.5. Component assemblies	9
2.6. Nameplate	10
3. SAFETY	10
3.1. Correct intended use	10
3.2. Staff	10
3.3. Electrical safety	10
3.4. Other safety precautions	11
4. TRANSPORTATION	11
5. INSTALLATION	12
5.1. Selection of location	12
5.2. Assembly of components	13
5.2.1. Inspection window	13
5.2.2. Extraction pipe	13
5.2.3. Refilling unit	14
5.2.5. Grease alarm	15
5.2.6. Disposal Pump	16
5.2.7. Control Panel for automatic operation (model Pump)	17
5.3. CONNECTIONS/SUPPLIES	21
5.3.1. Inlet and outlet connections	21
5.3.2. Pipeline insulation/heating	21
5.3.3. Sampling chamber	21
5.3.4. Ventilation	22
5.3.5. Disposal line	22
5.3.6. Freshwater connection	23
6. COMMISSIONING	23
6.1. Procedures	23

- 6.2. Acceptance Report23
- 7. OPERATION.....23
 - 7.1. Check.....24
 - 7.2. Disposal24
 - 7.3. Yearly maintenance25
 - 7.4. General inspection.....25
 - 7.5. Service log25
- 8. WARRANTY25
- 9. DECLARATION26



1. GENERAL INFORMATION

1.1. Introduction

Dear customer,

We are pleased that you decided to purchase one of our products which will certainly completely match your requirements. We wish you a smooth and successful installation and operation. We try to keep our quality standards as high as possible therefore we are open for your feedback on any possible improvements.

1.2. Product description

Grease separators described in this installation, operation and maintenance manual meet the latest European regulations. GREASLY-A was designed according to EN 1825 and DIN 4040 standards. After treatment, the grease concentration shall not exceed 25 mg/l.

1.3. Operation principle

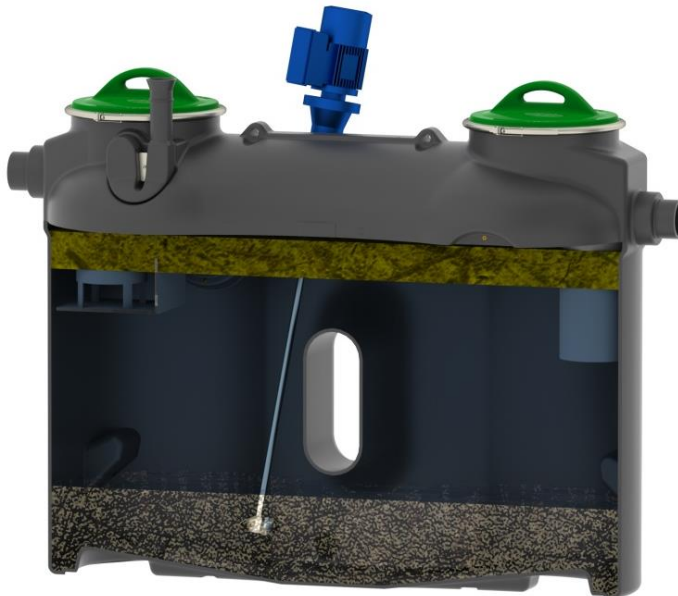
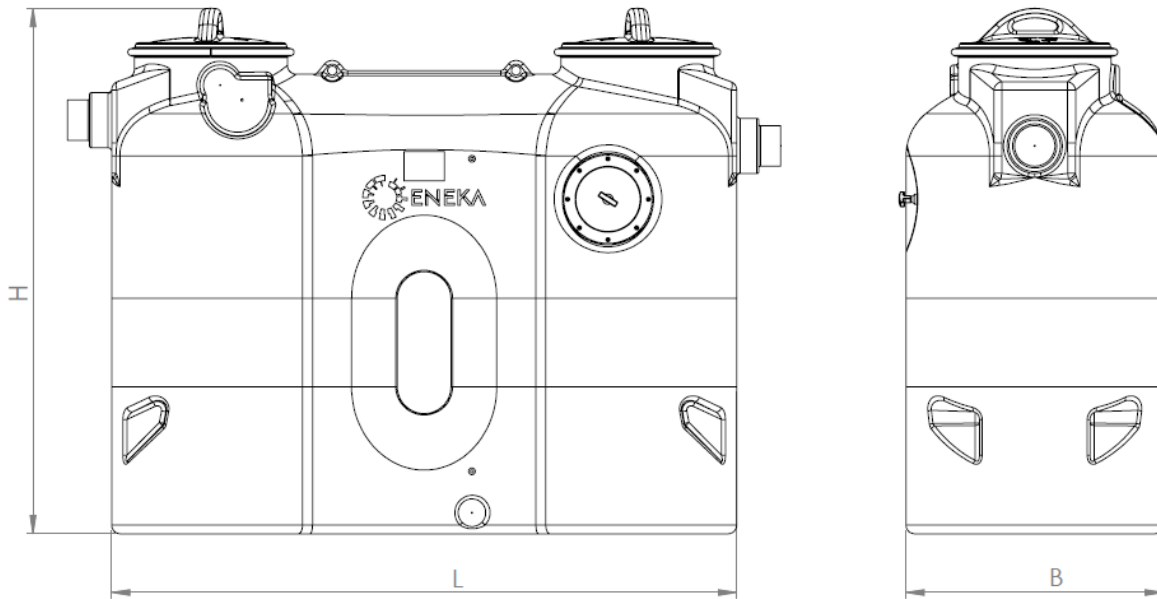


Figure 1. Operation of the Grease separator

Incoming greasy wastewater enters the grease separator through a unique inlet module which creates the circular flow path. As water passes through the separator, grease particles, lighter than water, are driven upwards by gravity and accumulated in the grease collection area on the water surface. At the same time, solids and other impurities heavier than water settle to sludge trap at the bottom of the tank. Treated water is discharged through the outlet pipe.

1.4. Technical data

Table 1. Technical data



Model	Flow rate l/s	Sludge trap volume, litres	Grease separation volume, litres	Grease collection volume, litres	Total volume, litres	Dimensions mm			Weight kg, model			
						L	B	H	Base	Prima	Mix	Pump
Greasly- 2A	2	200	450	80	650	1940	700	1190	68	78	119	144
Greasly- 4A	4	400	450	160	850	1940	700	1430	81	91	132	157

2. MODELS

2.1. Model Base



Figure 2. Greasly-4A-BASE

Model **BASE** can be applied in areas where bad odour during maintenance is not causing any inconvenience. Access cover shall be opened for disposal of accumulated grease and solids by a vacuum truck.

2.2. Model PRIMA



Figure 3. Greasly-2A-PRIMA

Model **PRIMA** provides odour-free operation without the need for opening of the cover. The separator is equipped with manual disposal system. Accumulated grease and sludge are disposed through the Extraction pipe by a vacuum truck. After complete disposal, the separator is filled-up with fresh water through the Refilling unit.

2.3. Model MIX



Figure 4. Greasly-4A-MIX

Model **MIX** is equipped with Grease alarm is indicating when the maximum level of accumulated grease is reached. Before emptying, Mixer actuated for blending grease, water and solid layers thus facilitating emptying of the separator. A special Extraction pipe is provided for the emptying of grease separator by the vacuum truck. After complete disposal, the separator is filled-up with freshwater.

2.4. Model PUMP



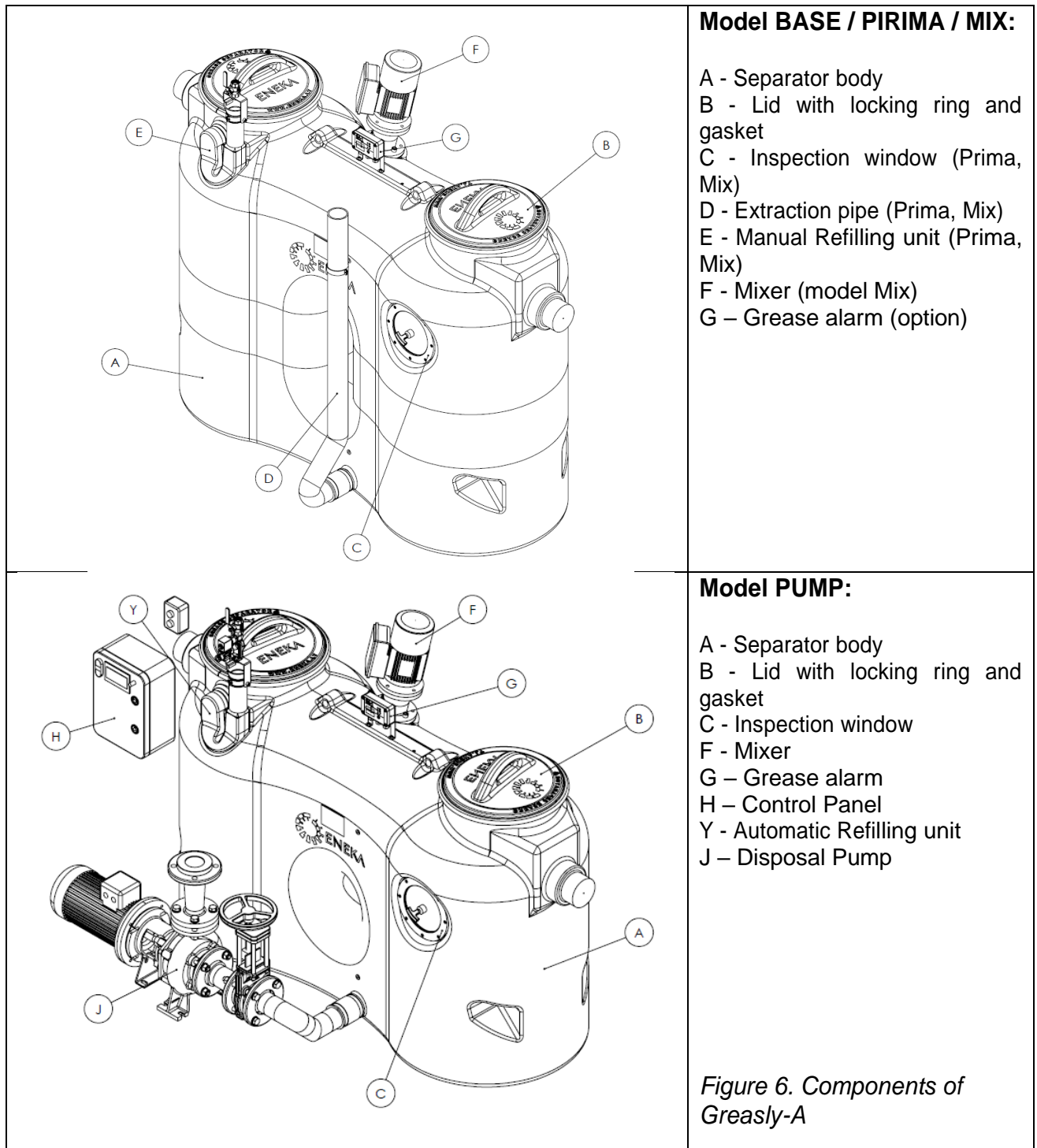
Figure 5. Greasly-4A-PUMP

Model **PUMP** is equipped with an automatic program-controlled emptying system including a Disposal pump. When the maximum level of accumulated grease is reached, grease sensor activates the alarm. After connecting the hose to a disposal truck, the operator starts the disposal procedure by pushing a START button in the control box or remote controller. First of all, the mixer is turned on for blending grease, water and solid layers. Then the Disposal pump

Greasily-A

is actuated for emptying of the separator. After complete disposal, the separator can be rinsed (option) by partial filling the freshwater through the Refilling unit, mixing and emptying by the Disposal pump. After rinsing, the separator is completely filled-up with freshwater again.

2.5. Component assemblies



2.6. Nameplate

Manufacturer:
UAB ENEKA
Vandžiogalos pl. 94D LT-47467
Kaunas, Lithuania
www.eneka.lt



GREASE SEPARATOR GREASLY-A

Model:	Greasily-4A	Standard:	EN1825-1:2004
Material/ Nominal size:	PE/NS4	Weight:	132 kg
Date of manufacture:	2020 April	Serial No.:	20165-1
Additional information:	Mix version		

Made in EU/Lithuania

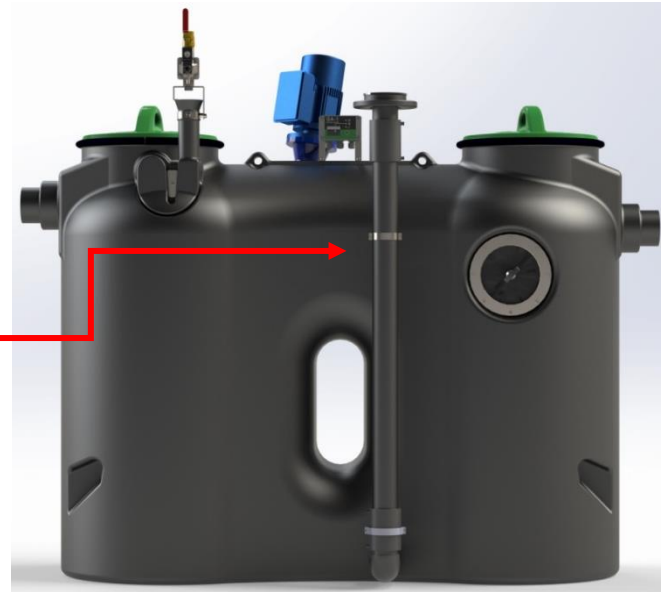


Figure 7. Nameplate

3. SAFETY

3.1. Correct intended use

The Grease separator is intended **only for separation of FOG (fats, oils & grease) of vegetable or animal origin from wastewater**. The use of the system for any other purpose is not regarded as correct and the manufacturer is not liable for any damage resulting from improper use; the responsibility is born by the owner/operator.

The correct intended use also includes adherence to assembly, commissioning, operating and servicing conditions set out by this manual. For safety reasons, conversion works at the system are not permitted.

The correct intended use also includes observing national laws and regulations.

The operating manual shall always be available at the location where the separator is installed.

3.2. Staff

People who operate/or install the separator shall be of more than 18 years of age, shall have been trained for the respective tasks, and shall follow the local safety regulations. The owner of the system shall ensure that only qualified staff work on the grease separator.

3.3. Electrical safety

Note: All electrical connections shall be carried out by a qualified contractor.

The electrical installation shall comply with the specifications according to European standards EN1012 and EN60 204.

Before the maintenance of any electrical component (mixer/disposal pump/Automatic Refilling unit, Grease alarm) the electrical supply shall be turned off.

In case of smoke or strange sounds appear, immediately switch-off the separator from the power supply.

3.4. Other safety precautions

Never take off the covers while operation.

Do not disassemble or turn off safety components.

Do not leave any hard objects and tools that can block free access to the separator.

During cleaning work, greasy liquid and/or grease can wet the floor. This results in a slipping hazard. Always eliminate any liquid and/or grease that has leaked immediately, and wear suitable footwear.

The wastewater contains bacteria. Any parts of the body which come into contact with wastewater shall be cleaned immediately, change soiled clothing. Wear personal protective equipment.

Blocked pipelines may cause a pressure rise which may damage the system and harm to maintenance personnel. While disposal of the system, ensure good ventilation to avoid the building of vacuum inside of separator which may cause the damage of the separator body.

4. TRANSPORTATION

Following rules shall be kept during transportation:

Normally, the system is supplied completely mounted and fixed on a wooden pallet and wrapped in a foil.

The capacity of the forklift truck / any other lifting equipment shall exceed the weight of the separator.

When lifting the separator, the ropes/chains must be attached only to the appropriate lifting lugs.

If ropes/chains are touching the body of the separator, the extra soft spacers are needed to keep body undamaged.

While lifting and transporting it is necessary to avoid the active shaking of the separator.

Transportation protections that are mounted on the device can be removed only when the separator is in its working space.

5. INSTALLATION

5.1. Selection of location

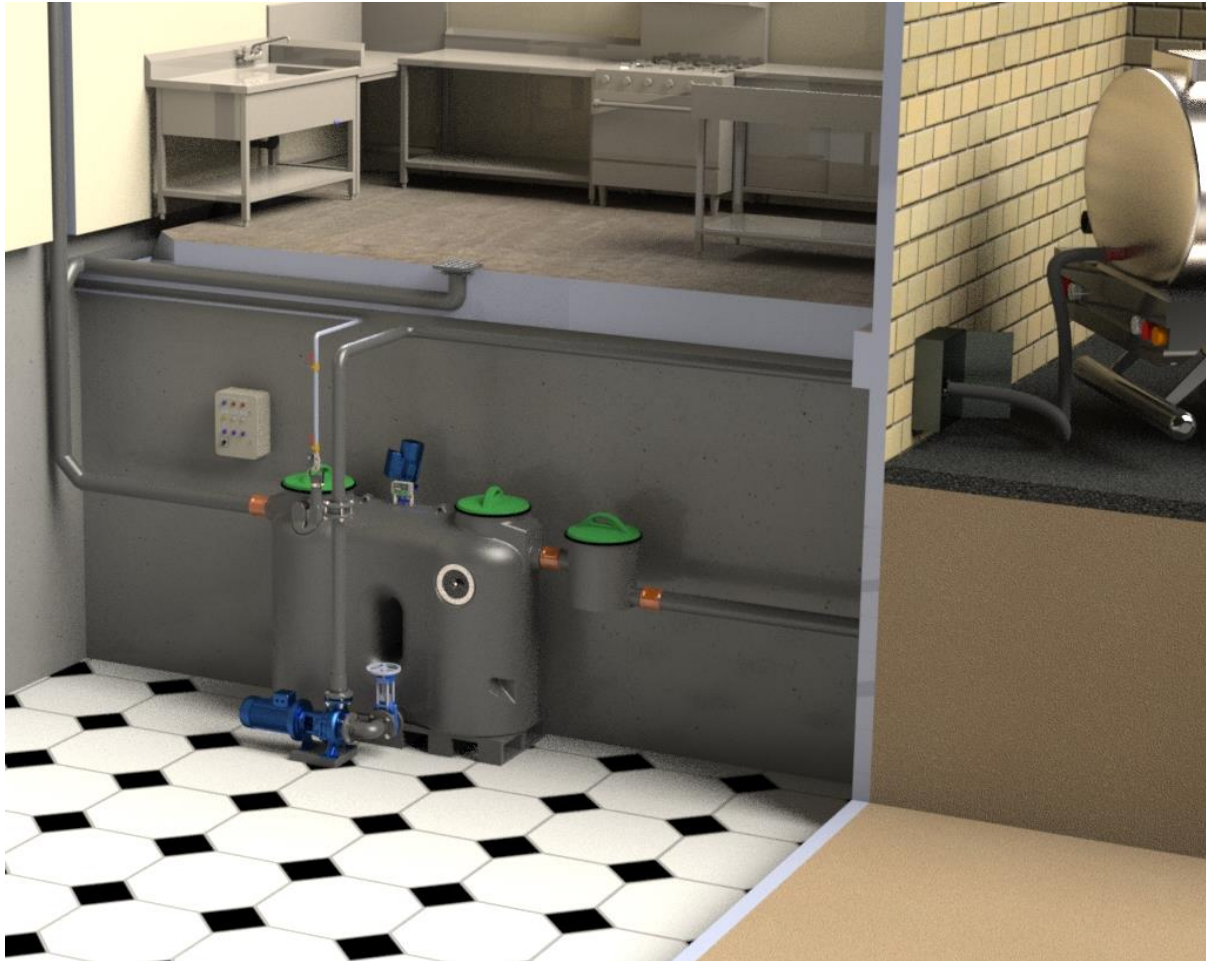


Figure 8. Example of installation

Grease separators shall be installed close to the source of wastewater. Do not site the systems in unventilated rooms, on roads, car parks or in storage areas. The separators shall be easily accessible to cleaning vehicles.

Before installation of grease separator following conditions shall be checked:

- The room shall be protected from frost (recommended temperature $>15\text{ }^{\circ}\text{C}$).
- The room shall be well vented/ventilated.
- The floor shall be a horizontal, rigid surface capable of bearing an appropriate load.
- The floor shall be equipped with an integrated drain.
- To prevent bad odour, separators shall not be sited close to residential buildings, close to windows and air intakes.
- The installation location of the separator shall have sufficient light.
- Separator shall be easily accessible to vacuum vehicles.
- Space shall be sufficient for the maintenance. Room height shall be 60 cm higher than grease separator to enable the opening of the covers during the maintenance. Free space of 1 m in front of separator shall be available.
- Cold and hot water connections available.
- Inlet pipe with stilling section of min. 1 m available.
- The inlet and outlet pipelines shall have a gradient of 2%.
- If the inlet pipe is longer than 10 m it shall be equipped with a separate vent.

5.2. Assembly of components

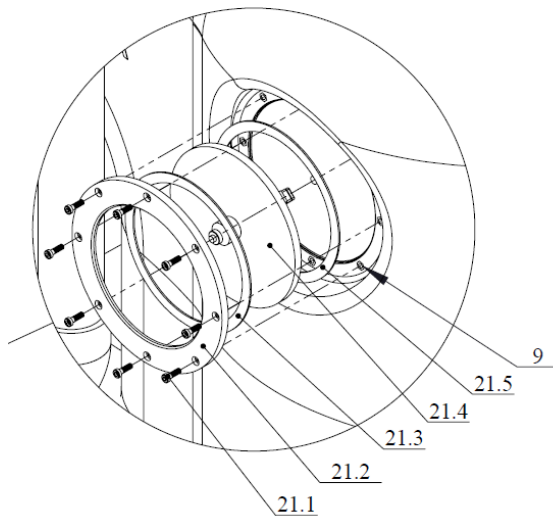
5.2.1. Inspection window

Package (please see fig.9):

- 1 pc Window with wiper no. 21.4
- 1 pc Flange no. 21.2, material stainless steel
- 1 pc Gasket between flange and window no. 21.3 (C4400 material)
- 1 pc Gasket between window and separator body no. 21.5 (rubber material)
- 8 pcs Screws M6 no. 21.1

Special tools required: Ø 177 mm drill crown

Installation process



Select the side for installation of inspection window depending on the layout of the system and inlet and outlet pipes in the room. Cut an opening using a drill crown of Ø 177 mm diameter. The inspection window is to be placed in the following order: 1) rubber gasket, 2) window with a wiper; 3) C4400 gasket; 4) Flange. Tighten the flange with the screws.

Figure 9. Installation of inspection window

5.2.2. Extraction pipe

Package:

- 1 pc Extraction pipe DN65, polyethylene
- 1 pc Rubber coupling ø75 mm
- 1 pc Pipe bracket 2½"

Special tools required: Ø 65 mm drill crown

Installation process

Drill an opening of \varnothing 65 mm using a drill crown in the nozzle at the bottom of the unit. Attach the extraction pipe by the rubber coupling to the nozzle, and tighten the metal clamps

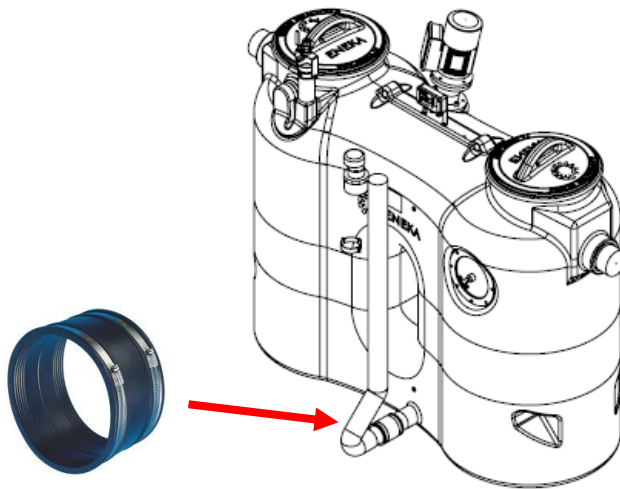


Figure 10. Extraction pipe and rubber coupling

5.2.3. Refilling unit

Package:

- 1 pc Siphon no. 23.1
- 1 pc Siphon retainer no. 23.2 with screw M6 no. 23.7
- 1 pc Manual ball valve DN20 no. 23.4
- 1 pc Valve holder no. 23.3 with screw M8 no. 23.5 and bracket 23.8
- 1 pc Solenoid valve no. 23.10 (model Pump only)
- 1 pc Gasket DN50/65 NBR no. 23.9

Special tools required: \varnothing 70 mm drill crown.

Installation process

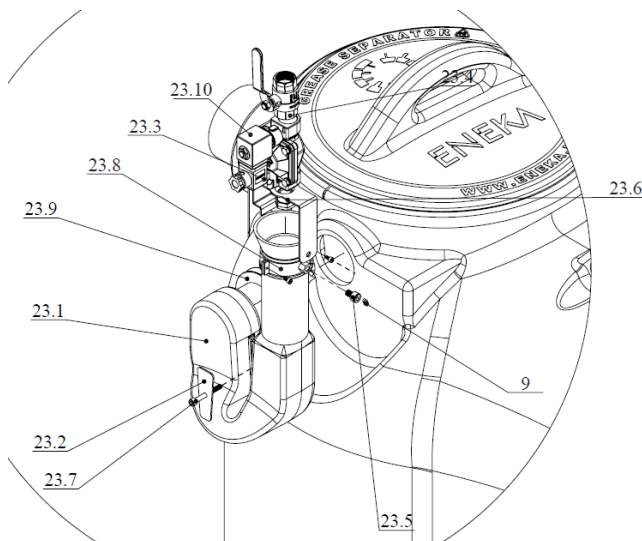


Figure 11. Fitting of Refilling unit

2 locations for connection of the Refilling unit are available on both sides of the separator. Cut the opening at the market area by a \varnothing 70 mm drill crown. Insert a rubber gasket into the opening and attach a siphon. Tighten the siphon to the separator housing from by stainless steel retainer plate and a screw. Do not apply too much force. Install the valves to their holder. Attach the metal bracket is attached to the siphon neck and tighten the valve holder by the screw.

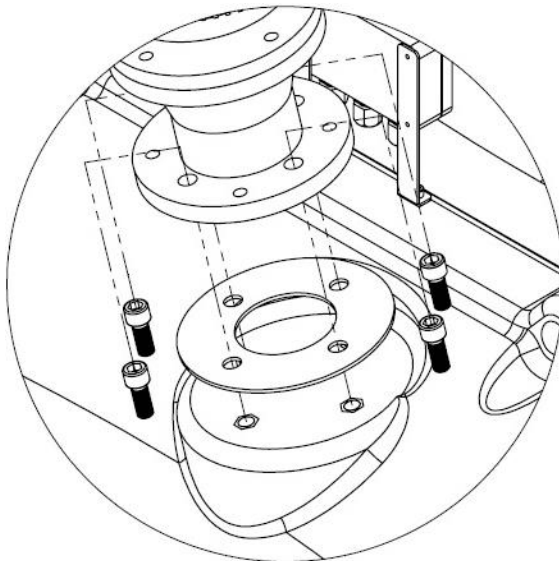
5.2.4. Mixer

Package:

- 1 pc Mixer with motor
- 4 pcs Screw M12
- 1 pc Gasket

Special tools required: 32 mm drill

Installation process



The mixer shall be installed at the top of the tank. Drill an opening by the drill bit of 32 mm diameter, the center is marked. Place the gasket between the tank body and the mixer's flange. Tighten the flange to the separator body with 4 bolts. Do not apply too much force.

Figure 12. Fitting of Mixer

5.2.5. Grease alarm

Package:

- 1 pc grease alarm type GA-1 (panel and sensor)
- 2 pcs bracket for the alarm unit
- 2 pcs screws M6 & 4 pcs screws M4

Installation process

The grease alarm panel is to be fitted to the bracket which is attached to the separator body. Tighten two metal brackets to the housing by 2 screws M6 provided. Fit the panel to the brackets by 4 screws M4.

Drill a $\varnothing 12$ mm opening for the sensor cable on the top of the separator body in the area as indicated in figure 13. Route the cable through the cable duct. Screw the cable duct to the separator wall. The sensor is to be suspended at the height of 150 mm below the static water level i.e. the bottom of the outlet nozzle.

Electrical connections of Grease alarm shall be installed according to figure 13.

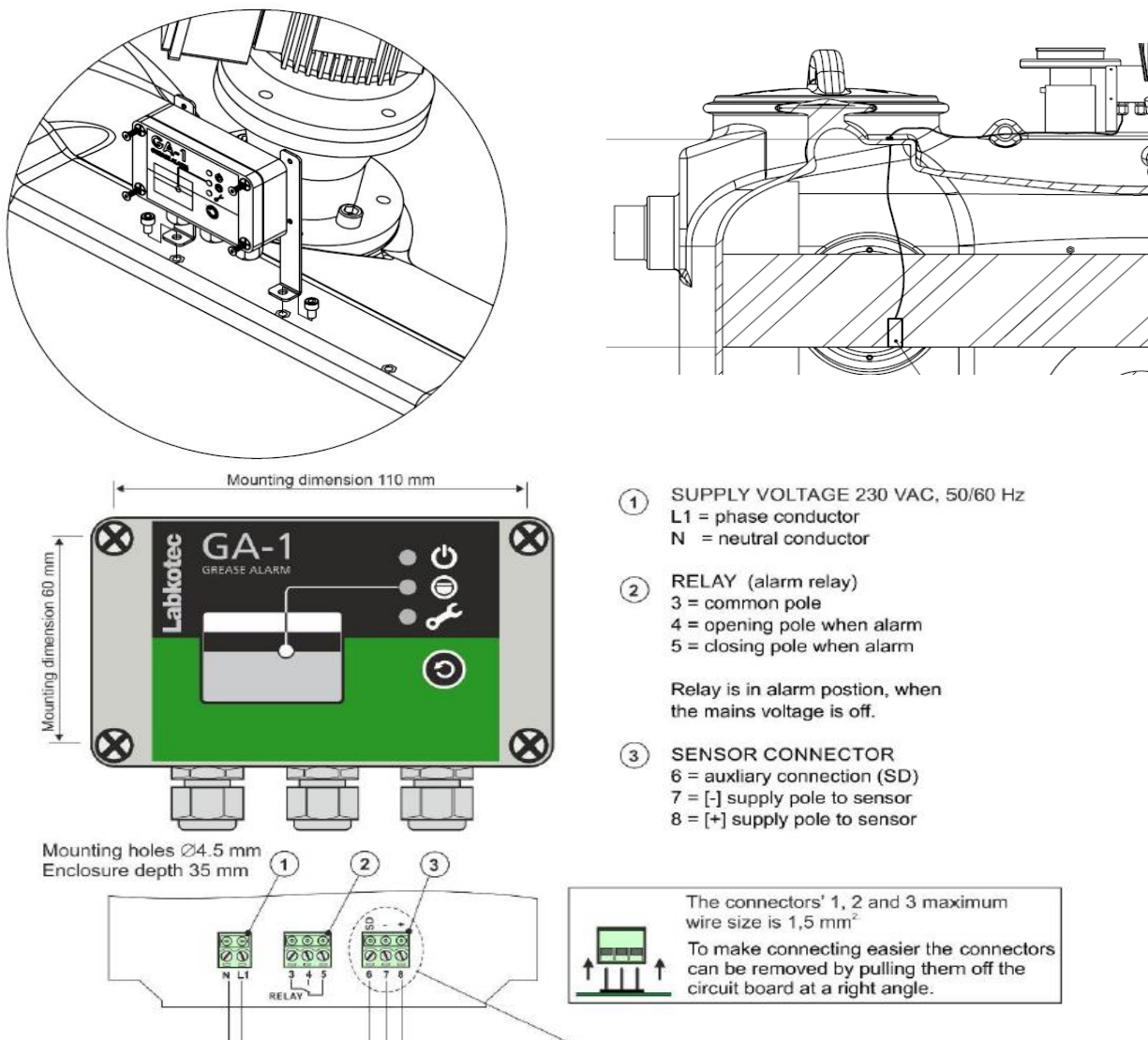


Figure 13. Installation of Grease alarm

5.2.6. Disposal Pump

Package:

- 1 pc Heavy-duty disposal pump with Vortex impeller, motor 2,2kW 400V 50Hz
- 1 pc Gate valve DN65
- 1 pc Suction pipe DN65, PE
- 1 pc Rubber coupling $\varnothing 75$ mm with 2 clamps
- 1 pc Double flanged pipe DN65, cast iron
- 1 pc Pipe adapter DN50/65

Installation process

- The disposal pump unit (pump with motor, double flanged pipe, adapter) is supplied completely assembled.
- Drill an opening of $\varnothing 65$ mm using a drill crown in the nozzle at the bottom of the tank.
- Place the disposal pump on a rubber anti-vibration matt.
- Attach the suction pipe by the rubber coupling to the tank, and tighten the metal clamps.
- Connect the suction pipe and gate valve to the double flanged pipe.

- Bolt the pump to the floor.



Figure 14. Fitting of Disposal Pump

5.2.7. Control Panel for automatic operation (model Pump)

Package:

- 1 pc Control Panel
- 1 pc Remote controller (option)

Installation process

- Attach the control panel to the wall in an easily accessible area.
- Connect the power supply, cables to a mixer, disposal pump, solenoid valve and remote controller to the marked terminals and according to the wiring diagram (fig. 15).

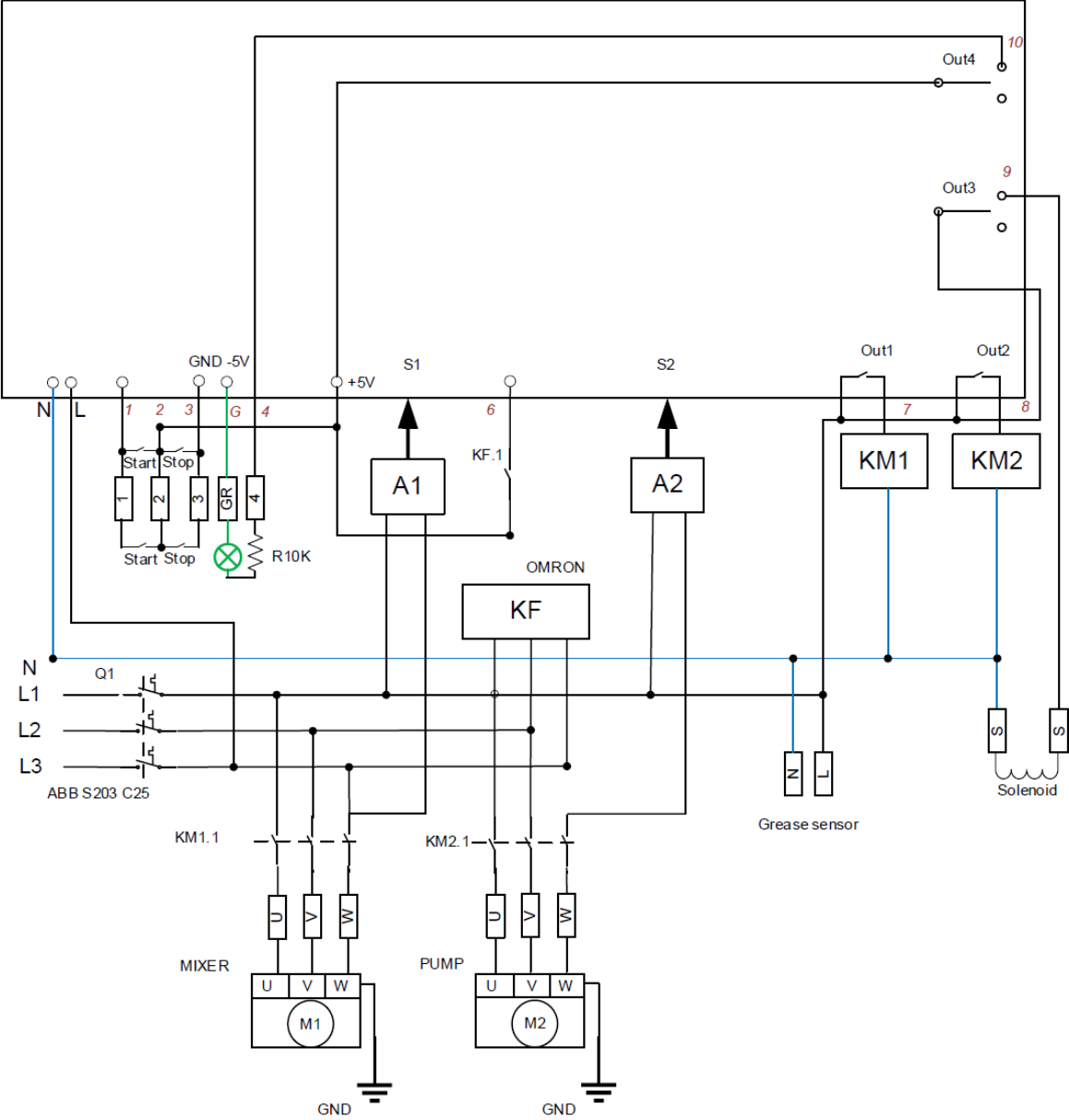


Figure 15. Wiring diagram

Operation

After connecting the hose to a disposal truck, the operator starts the disposal procedure by pushing a START button in the control box or remote controller.

Disposal steps:

- Mixing for a preset time.
- Emptying by the disposal pump.
- Rinsing (optional), i.e. partial filling with freshwater and emptying.
- Complete filling with freshwater.

During operation, the control panel monitors the current used by the mixer and pump motors and compares it with a preset rated current. If the current is too low, the "dry run" is recorded, if it is too high, the overload is recorded. In both cases, the motor will be switched off.

In case of an emergency, the process can be stopped by pressing the Red / STOP button.



Fig. 16. Control panel and remote controller

Standby mode

	0	1	2	3	4	5	6	7	8	9	0	1	2	3	4	5	6	7	8	9	0	
1	S	Y	S	T	E	M		R	E	A	D	Y										
2	M	I	X	E	R		O	F	F			I	:	1	,	5	A					
3	P	U	M	P			O	F	F			I	:	7	,	5	A					
4	W	A	T	E	R		O	F	F													

2nd row: indication of the preset current of a mixer motor.

3rd row: indication of the preset current of a pump motor.

Indication after START

a) Mixing cycle

	0	1	2	3	4	5	6	7	8	9	0	1	2	3	4	5	6	7	8	9	0	
1	S	T	A	R	T		T	I	M	E		0	:	2	0		T	M		3	0	
2	M	I	X	E	R		O	N		T	0	:	1	5			T	M		2	0	
3	P	U	M	P			O	F	F													
4	W	A	T	E	R		O	F	F													

1st row: Disposal period after the start. TM – preset time of all disposal steps.

2nd row: Time in reverse mode from the beginning of the mixing cycle until the preset time TM.

b) Emptying cycle

The disposal pump is running. At the end of the emptying cycle, the solenoid valve is opened to supply the freshwater and to facilitate the complete emptying. The pump is switched off when the consumption of electrical current is decreasing after complete emptying of the separator contents.

3rd Time

	0	1	2	3	4	5	6	7	8	9	0	1	2	3	4	5	6	7	8	9	0
1	S	T	A	R	T		T	I	M	E		0	:	2	5		T	M		3	0
2	M	I	X	E	R		O	F	F								T	M		2	0
3	P	U	M	P			O	N		T	0	:	1	5			T	M		1	0
4	W	A	T	E	R		O	N		T	0	:		5			T	M			8

row: in

reverse mode from the beginning of the Emptying cycle until the preset time TM.

4th row: Time in reverse mode from the opening of the solenoid valve until the preset time TM.

c) Rinsing cycle (option)

The separator is filled up to half of its volume with freshwater by opening the solenoid valve of the refilling unit. Then the water is emptied.

Partial filling

	0	1	2	3	4	5	6	7	8	9	0	1	2	3	4	5	6	7	8	9	0
1	S	T	A	R	T		T	I	M	E		0	:	2	5		T	M		3	0
2	M	I	X	E	R		O	F	F								T	M		2	0
3	P	U	M	P			O	F	F								T	M		1	0
4	W	A	T	E	R		O	N		T	0	:	1	2			T	M			8

4th row: Time in reverse mode from the opening of the solenoid valve until the preset time TM.

Emptying

3rd Time

	0	1	2	3	4	5	6	7	8	9	0	1	2	3	4	5	6	7	8	9	0
1	S	T	A	R	T		T	I	M	E		0	:	2	5		T	M		3	0
2	M	I	X	E	R		O	F	F								T	M		2	0
3	P	U	M	P			O	N		T	0	:	1	5			T	M		1	0
4	W	A	T	E	R		O	N		T	0	:		5			T	M			8

row: in

reverse mode from the beginning of the Emptying cycle until the preset time TM.

e) Filling cycle

	0	1	2	3	4	5	6	7	8	9	0	1	2	3	4	5	6	7	8	9	0
1	S	T	A	R	T		T	I	M	E		0	:	2	5		T	M		3	0
2	M	I	X	E	R		O	F	F								T	M		2	0
3	P	U	M	P			O	F	F								T	M		1	0
4	W	A	T	E	R		O	N		T	0	:	1	2			T	M		1	5

Settings

The grease separator is supplied with the factory settings. If necessary, the setting can be modified with the rotary knob SET. The SET knob has two control functions. The setting is selected by pressing the knob. The value of the parameter is reduced by turning the knob counterclockwise and increased by turning it clockwise.

1 - Start

By pressing the rotary knob, the disposal cycle is started (the same as after pressing the start button).

2 - Manual

In the manual mode, each device can be turned on and off.

- 1 Mixer
- 2 Emptying / Pump
- 3 Filling / Solenoid valve
- 4 Back (to Manual)

3 - Settings

Following settings can be modified:

- 1 Mixing time
- 2 Emptying time
- 3 Filling time
- 4 Mixer current / amps
- 5 Pump current / amps
- 6 OK (Back to Settings)

4 – Standby

Back to standby mode.

Preset values: Mixer current 2,9 A, Pump current 7,6 A, Mixing time 20 min, Pumping time 1 min, Refilling time 20 min.

5.3. CONNECTIONS/SUPPLIES

5.3.1. Inlet and outlet connections

Connect the inlet and outlet pipes to appropriate nozzles on the separator housing. The nozzles are marked by the arrows.

The wastewater to the grease separator shall be gravity fed.

If the static water level in the separator is lower than the flood level, then the effluent from the separator shall be discharged to the drainage system using a lifting plant.

Pipelines upstream of the separator shall be laid at a minimum gradient of 2 % to prevent the accumulation of grease.

The transition from vertical to horizontal pipes shall be made by using two 45° bends between which a piece of pipe at least 250 mm long shall be placed. After passing from the vertical pipe to the horizontal, a flow stilling section shall be provided with a length of at least 10 times the nominal size of the supply pipe.

5.3.2. Pipeline insulation/heating

Thermal insulation may be required for pipes placed in cool basements. For pipelines laid out in rooms that are potentially exposed from frost, for example, in underground garages, thermal insulation and additional heating may be installed. The temperature of the secondary heater shall be controlled in the range of 25 °C to 40 °C to adapt to the annual temperature changes. Additional heating is required only when the water with grease is flowing through the pipelines, so it is recommended to use the timer.

5.3.3. Sampling chamber

Immediately after the separator of a sampling chamber shall be fitted for taking the effluent water samples before discharge into the sewage system. The sampling chamber shall be installed in an accessible place.



Figure 17. Sampling chamber

5.3.4. Ventilation

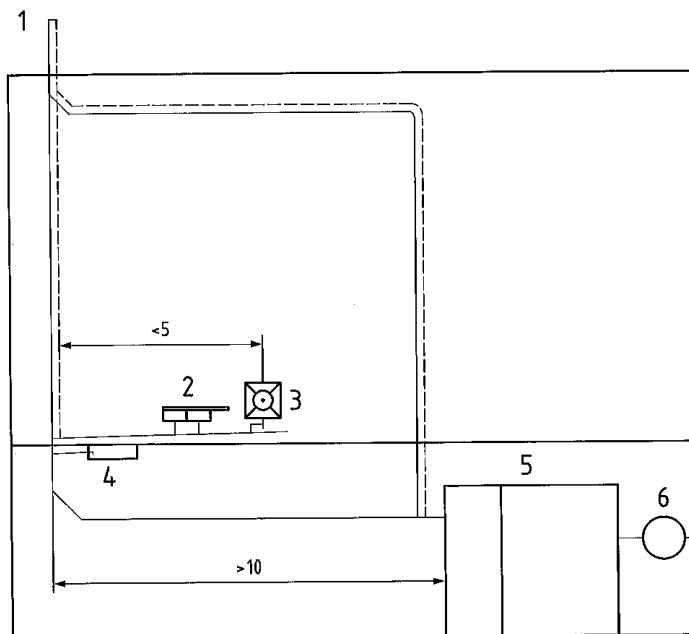
The inlet and outlet pipes of the grease separator shall be adequately ventilated.

The vent pipe from the inlet pipeline shall be aligned through the roof of the building. No other areas shall be ventilated through this ventilation pipe. The size of the ventilation pipe shall be a minimum of the size of the inlet pipe.

If the inlet pipe upstream the separator is longer than 10 meters, an additional vent pipe of min DN70 shall be provided, connected as close as possible to the separator.

If the lifting plant is arranged in the discharge line it shall not be connected with the ventilation system of the inlet pipe.

For all inlet and outlet pipelines longer than 5 meters, separate ventilation pipes of size min DN70 shall be arranged. The additional vents can be connected to the same stack vent with the main ventilation.



- 1- Ventilation line
- 2- Rinse sink
- 3- Dishwasher
- 4- Drainage
- 5- Grease separator
- 6- Sampling chamber

Figure 18. Fitting of ventilation

5.3.5. Disposal line

The disposal line shall be laid from the extraction pipe of the separator to the area easily accessible by the vacuum vehicle. The line shall be of at least DN65 and shall be laid with a gradient to the separator. To avoid noise and vibrations, compensators shall be used.

Max. length of disposal line to be determined by the performance of the vacuum vehicle or disposal pump.

5.3.6. Freshwater connection

A freshwater line shall be connected to the Refilling unit installed on the separator. The size of the freshwater line shall be min. 3/4" and water flow of min. 30 l/min shall be provided.

6. COMMISSIONING

6.1. Procedures

All assembly and connecting works shall be finished. All electrical works shall be finished. General inspection of the separator as per DIN4040-100 shall be carried out by a qualified technician. The shut-off valves in inlet and outlet lines shall be opened (if available). The separator shall be filled with fresh water until the bottom of the outlet pipe. The separator shall be inspected for tightness.

For the separator model Mix and Pump, a test run of the mixer and disposal pump shall be carried out.

The system shall be handed over to the operator, the operation and maintenance shall be explained, the installation and operation manual shall be handed on.

Following acceptance Report shall be signed.

6.2. Acceptance Report

Date:

Installation address:

Separator model:

Serial number:

We confirm that:

- Grease separator was transmitted/accepted in functional condition.
- The separator was filled with water.
- Service personnel was trained to work with the system.
- The installation, operation and maintenance instructions were provided.
- Maintenance procedures were explained.
- Separator transfer/reception was performed.

Supplier

Owner/operator

Name and signature

Name and signature

7. OPERATION

The system shall be operated, maintained and serviced by qualified staff members. They shall be familiar with the installation and operating manual and the instructions and pertinent regulations on operational safety and accident prevention contained therein. An operations log has to be kept.

7.1. Check

The separator shall be checked regularly, at least once a week, by a qualified person. The check is including:

- Visual check of the separator and its connections and fittings. Any leakages and other defects found have to be fixed immediately.
- Checking of grease layer (max. grease layer shall not exceed 150 mm from the liquid surface).
- Determination of sludge volume in the sludge trap (max. half of the sludge trap volume is allowed).

7.2. Disposal

The intervals of disposal shall be scheduled as per requirement (see clause Check). However, it is recommended to dispose of the accumulated grease and sludge every 2 weeks, or at least once a month.

Disposal works:

- complete emptying of the separator contents,
- cleaning of all internal surfaces,
- refilling with clean water, i.e. freshwater or rainwater, up to the bottom of the outlet pipe.

Information on emptying is to be included in the service log.

Model-based disposal instructions

Model BASE

The BASE model is emptied through the cover opening. The locking ring shall be loosened, and the cover to be removed. The extraction hose shall be inserted through the opening and the contents to be extracted.

Model PRIMA

The layer of accumulated grease shall be checked through the inspection window. All contents of the separator shall be emptied through the extraction pipe.

Model MIX

A grease alarm indicates if the maximum quantity of accumulated grease is reached. When the alarm is triggered, the operator activates the mixer by the switch on its motor. Mixing time: 15/20 minutes for Greasly-2A/4A.

After the mixing period, the mixer shall be switched off. All contents of the separator shall be emptied through the extraction pipe installed on the side of the separator.

Model PUMP

A grease alarm indicates if the maximum quantity of accumulated grease is reached. Before emptying is commenced, make sure that all the effluent will be safely discharged into the external tank or reservoir of the disposal vehicle.

The shut-off valve before the disposal pump shall be opened.

The operator shall start the emptying procedure by pushing the *Start* button on the control panel.

The emptying runs automatically. First, all the contents in the tank are mixed. Mixing time: 15/20 minutes for Greasly-2A/4A.

After the mixing period, the separator will be completely emptied by the disposal pump.

After the emptying, the shut-off valve shall be closed.

After the maintenance process, the operator shall check that all stages are completed and switch the control panel to the operating mode and complete the service log.

7.3. Yearly maintenance

The grease separator system shall be serviced once a year by a qualified person, i.e. employees of the owner or from third parties who, on account of their training, knowledge and practical experience, can guarantee that they carry out evaluations or tests in a professional way in the respective field.

In addition to emptying, the following works shall be carried out:

- Check on the interior wall areas of the grease separator system.
- Functional check on the electrical devices and installations, as appropriate.
- The mechanical and/or electro-mechanical assemblies such as pumps, valves, inspection window, shut-off valves etc. are to be maintained.

Any deviations shall be evaluated and necessary corrective measures are to be taken.

Records of the findings and works carried out shall be kept in the operating log.

7.4. General inspection

The owner-operator of a separator system is obliged according to valid legal principles as well as according to DIN 4040-100 to subject the system to a general inspection with leak test before commissioning and repeated every 5 years. This test may only be carried out by a technical expert.

7.5. Service log

The service log contains the following data:

- Date and results of the disposals carried out.
- Maintenance, repair works and inspections carried out.
- The service log and the inspection reports shall be kept by the user and presented to the authorities.
- All maintenance and inspection works shall be carried out by qualified persons only.

8. WARRANTY

The warranty period for new items is 24 months from the delivery date. The extended warranty for a polyethylene tank is 10 years.

If a delivery or performance is faulty, ENEKA has the right to choose whether to eliminate the fault through rework or deliver a fault-free product. The warranty period for newly replaced parts starts again, but only covers the scope of the new part delivered, not the whole system. The warranties above are valid if the grease separator is installed and operated according to the instructions above.

ENEKA makes expressly clear that wear is not a fault.

ENEKA guarantees that the grease separator GREASLY-A will ensure the residual grease content in effluent wastewater below 25 mg/l.

9. DECLARATION**DECLARATION OF PERFORMANCE**

According to EU Regulation No. 305/2011



1. Unique identification code of the product-type: **GREASLY-A**
2. Type, batch or serial number or any other element allowing identification of the construction product: **Greasly-1A, Greasly-2A, Greasly-4A, Greasly-7A, Greasly-10A, Greasly-15A, Greasly-20A**
3. Intended use of the construction product: **Free-standing unit for separation of grease and oil of vegetable and animal origin from wastewater**
4. Applicable harmonized standard: **EN 1825-1:2004**
5. Name, registered trade name or registered trademark and contact address of the manufacturer:

ENEKA UAB
Vandziogalos st. 94D, LT-47467 Kaunas, Lithuania
 Ph. +370 37 377441, E-mail: info@eneka.lt

6. System of assessment and verification of constancy of performance of the construction product:
System 3: Classification of Reaction to fire
System 4: Verification of Liquid tightness, Effectiveness, Load bearing capacity and Durability.
7. Testing performed by:
Fire and rescue department under the ministry of the interior of the Republic of Lithuania, Fire research center, reaction to fire testing division, Svitrigailos str. 18, LT-03223 Vilnius. Notified body No. 1796, performed reaction to fire tests and issued a test report No. 20-12.2014.24N.

8. Declared performance

Essential characteristics	Performance	Harmonized technical specification
Liquid tightness	Pass	EN 1825-1:2004
Load bearing capacity	Pass	
Durability	Pass	
Effectiveness	Pass	EN 13501-1:2007 + A1:2010
Reaction to fire	E	

8. The performance of the product identified in points 1 and 2 conforms with the declared performance in point 7. This declaration of performance is issued under the sole responsibility of the manufacturer identified in point 5.

Signed for and on behalf of the manufacturer by:

Director

Edvardas Kuodis

Kaunas, 02.01.2020