

# GA-1 and GA-2

Grease separator alarm devices for monitoring layer in a grease separator



- Protecting our environment
- Versatile device for basic requirements
- Robust
- Designed to comply EN 1825 and DIN 4040 norms
- Easy to install
- Remote monitoring capability
- Especially suitable for all kind of grease separators

Measure your success

 **Labkotec**  
INDUTRADE GROUP



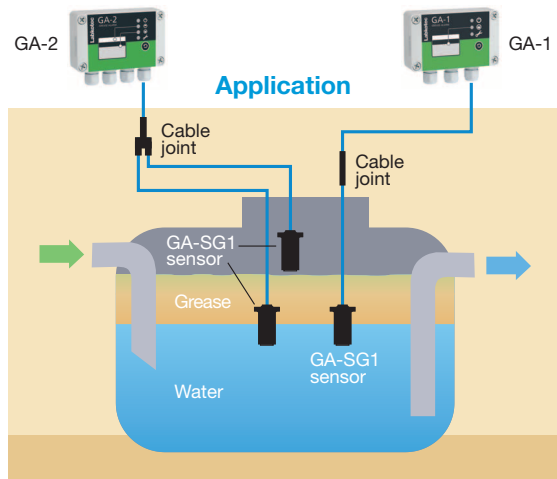
# GA-1 and GA-2 grease alarm devices for monitoring grease layer in a grease separator

GA-1 and GA-2 alarm devices are specially designed for grease separators. They indicate when it is time to empty the grease separator and thus prevents harmful grease emissions to the sewer system.




GA-1 control unit and GA-SG1 sensor

Cable joints



## Technical data

### GA-1 and GA-2 control units

Dimensions:	125 mm x 75 mm x 35 mm (L x H x D)
Material:	Polycarbonate
Enclosure:	IP65
Operation temperature:	-30 °C...+50 °C
Supply voltage:	230 VAC ± 10 %, 50/60 Hz
	The device is not equipped with a mains switch
Power consumption:	GA-1: 5 VA GA-2: 5 VA
Sensors:	1 or 2 GA-SG1 sensors
Relay outputs:	Potential-free relay output 250 V, 5 A
1 pcs for GA-1	Operational delay 10 sec. Relay de-energize at trigger point.
2 pcs for GA-2	
Electrical safety:	IEC/EN 61010-1, Class II  , CAT II
EMC:	IEC/EN 61000-6-3 (Emission) IEC/EN 61000-6-1 (Immunity)

### GA-SG1 sensor

Principle of operation:	Measurement of capacitance
Material:	POM, AISI 316
Enclosure:	IP68
Temperature:	Operation 0 °C...+90 °C
Cable:	PUR cable 2 x 0,75 mm <sup>2</sup> . Standard length 5 m, other lengths optional. The max. length of the fixed cable is 15 m. Can be extended up to 200 m.
EMC:	IEC/EN 61000-6-3 (Emission) IEC/EN 61000-6-1 (Immunity)

Alarm device can be easily connected via Labcom data transmission units to remote monitoring system.  
More information [www.labkonet.com](http://www.labkonet.com)



Measure your success

**Labkotec**  
INDUTRADE GROUP

[www.labkotec.com](http://www.labkotec.com)  
[www.labkonet.com](http://www.labkonet.com)



Made in Finland

**Labkotec Oy**  
Myylihaantie 6  
FI-33960 Pirkkala  
FINLAND  
Tel. int. +358 (0)29 006 260  
Fax int. +358 (0)29 006 1260  
E-mail [info@labkotec.fi](mailto:info@labkotec.fi)

**Labkotec UK Ltd.**  
Adminicle House  
1 Lumb Lane, Audenshaw  
Manchester M34 5WH  
ENGLAND  
Tel. int. +44 (0)844 3350 477  
Fax int. +44 (0)161 292 7673  
E-mail [info@labkotec.co.uk](mailto:info@labkotec.co.uk)

**Labkotec AB**  
Ekbacksvägen 28  
SE-168 69 Bromma  
SWEDEN  
Tel. int. +46 (0)8 130 060  
Fax int. +46 (0)8 555 36108  
E-mail [info@labkotec.se](mailto:info@labkotec.se)

**Labkotec GmbH**  
Technologiezentrum  
Lise-Meitner-Strasse 2  
24941 Flensburg  
GERMANY  
Tel. int. +49 (0)461 9992 410  
Fax int. +49 (0)461 4807 335  
E-mail [info@labkotec.de](mailto:info@labkotec.de)

Labkotec Oy reserves the rights to alterations without prior notice. Due to policy of continuous improvement in R&D, technical specifications may change. Installation shall always be made as documented in manufacturer's instructions.